

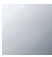

27 412 710

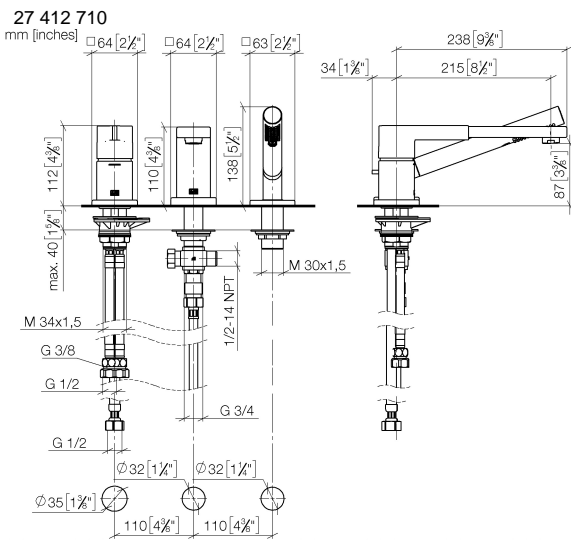


- spout: circular, air-enriched flow
- max. flow 26.4 l/min at 3 bar flow pressure
- Hand shower: COMPACT RAIN, max. flow rate 6.8 l/min (at 3 bar)
- complete hand shower set with anti-scale system
- automatic bath/shower diverter
- height of mixer 110 mm
- height up to aerator 84 mm
- 215mm projection
- hole diameter spout 32 mm
- hole diameter single-lever mixer 35 mm
- hole diameter for complete hand shower set 32 mm
- rosette for spout 63 x 63mm
- rosette for complete hand shower set 63 x 63mm
- rosette for single-lever mixer 52 x 52mm
- metal shower hose 1750mm with integrated anti-twist protection

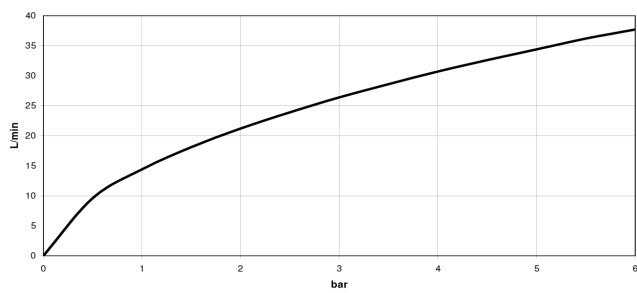
Note: Local building codes may require the use of an anti-scald device. Please refer to remote pressure balance valve (35 910 970 90)

Intrinsic protection against back flow.

	Chrome	27 412 710-00
	Brushed Platinum	27 412 710-06



Flow rate chart



Codes & Standards

ASME
A112.18.1/CSA
B125.1

California Energy
Commission
(CEC)



LULU Three-hole single-lever bath mixer for bath rim or tile edge installation -
Chrome

LULU

27 412 710

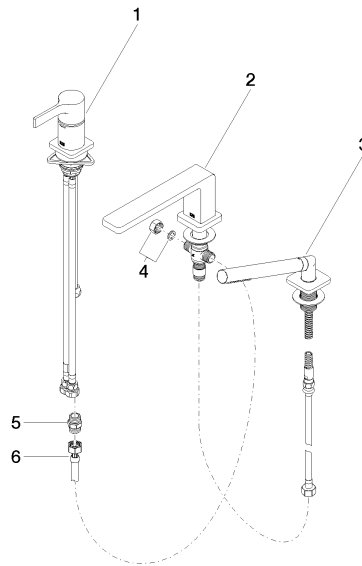
Certificates

Belgaqua_19_80_27. IAPMO_4976 (2).

LGA_29731.

Belgaqua_24-008-
27_4.

27 412 710
Parts for other finishes can be found here: Brushed Platinum



Spare parts list

No.	Item Number	Name	Quantity used	Delivery time
1	29 300 710-00	LULU Single-lever bath mixer for bath rim or tile edge installation - Chrome	1	-
Spare part can no longer be ordered, please order the replacement item				
2	13 512 710-00	spout	1	60
3	27 702 710-00	LULU Hand shower set for bath rim or tile edge installation - Chrome	1	-
Spare part can no longer be ordered, please order the replacement item				
4	04 21 02 006 00 92	cap	1	2
5	90 24 03 168 00 90	nipple	1	2
6	12 502 970 90	High pressure hose 1/2" x 1/2" x 400 mm -	1	2